



Accessories / Accessori

Tracks, lower guides and wall brackets
Binari, guide inferiori e squadrette



Tracks / Binari

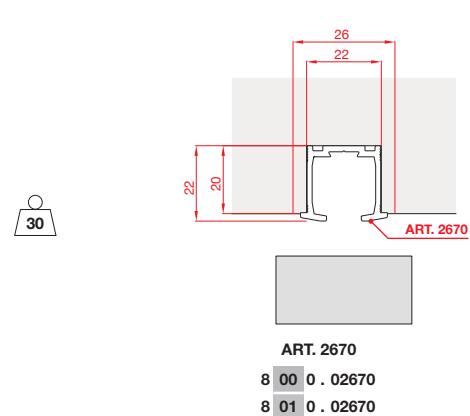
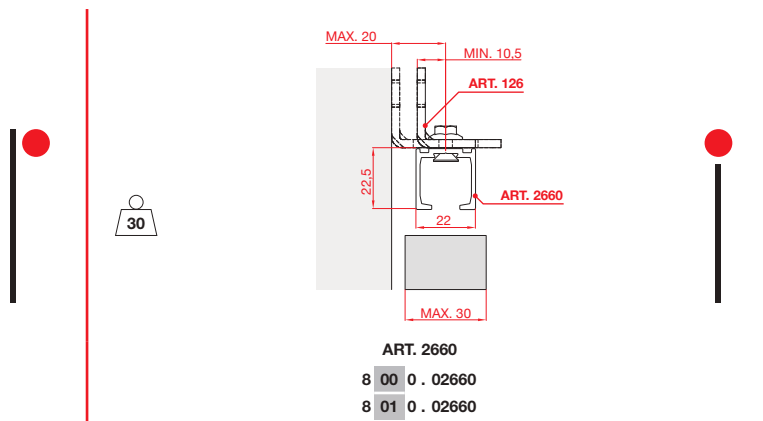
Tracks / Binari ALUMINIUM FINISHES CODES / CODICI FINITURE ALLUMINIO

| CODE / CODICE | FINISH COLOR / COLORE FINITURA | |
|----------------|--|----------|
| 8 00 0.0 | 00 G Raw / Mill Finish / Neutro / Grezzo | STANDARD |
| 8 01 0.0 | 01 A Anodized Silver / Argento | |
| 8 02 0.0 | 02 AS Brushed Anodized Silver / Argento Spazzolato | |

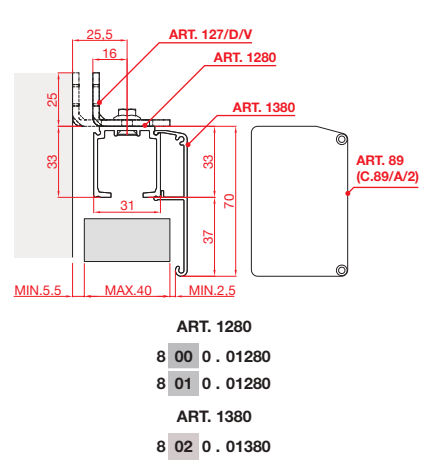
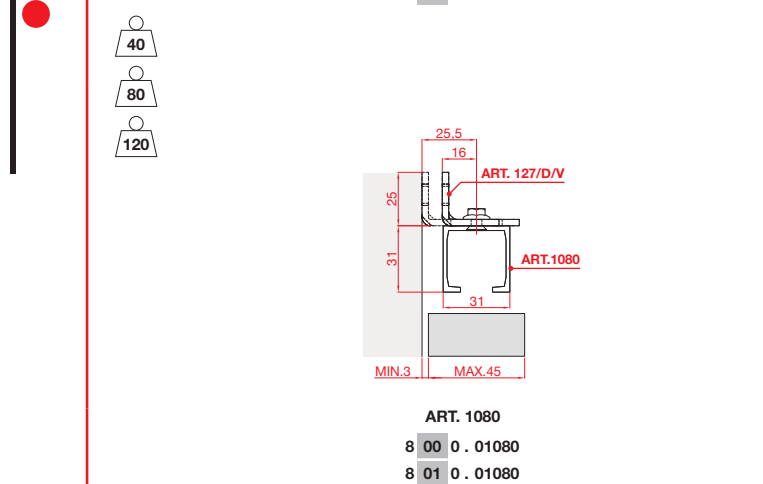
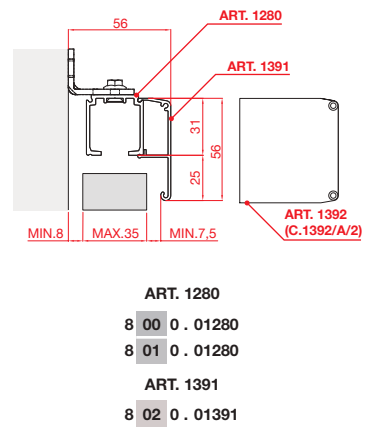
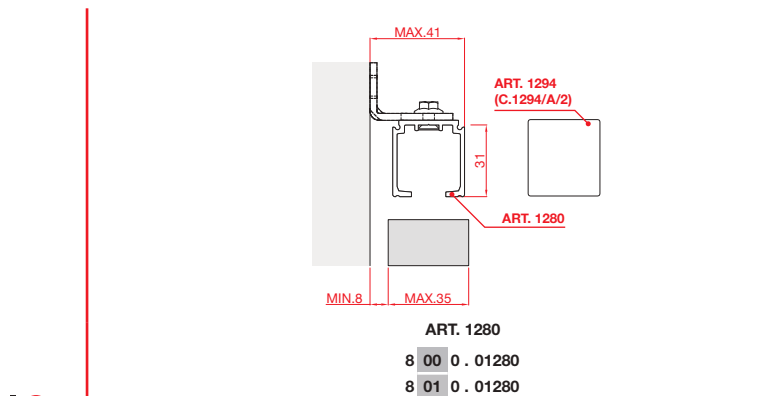
Tracks / Binari PLASTIC FINISHES CODES / CODICI FINITURE PLASTICA

| CODE / CODICE | FINISH COLOR / COLORE FINITURA | |
|----------------|--------------------------------|----------|
| 8 14 0.0 | 14 N Anodized Black / Nero | STANDARD |
| 8 23 0.0 | 23 GR Gray / Grigio | |

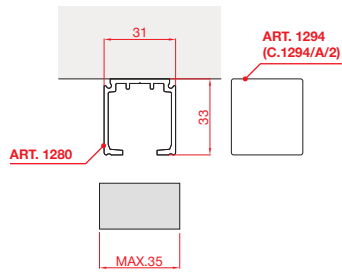
ALUMINIUM TRACKS ONLY SUITABLE FOR STANDARD STOPPER APPLICABLE TO WALL AND CEILING
 BINARI IN ALLUMINIO ADATTI SOLO PER FERMI A PINZA APPLICABILI A PARETE E SOFFITTO



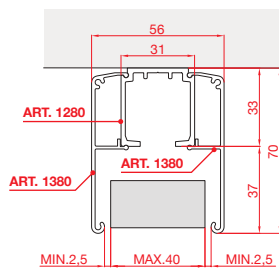
ALUMINIUM TRACKS SUITABLE FOR GRIP CLIPS AND SOFT CLOSING APPLICABLE TO WALL
 BINARI IN ALLUMINIO ADATTI PER FERMI A PINZA E FERMI AMMORTIZZATI APPLICABILI A PARETE



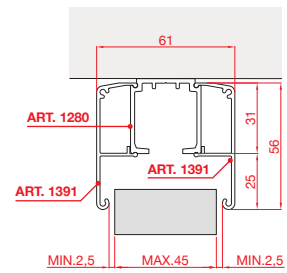
ALUMINIUM TRACKS SUITABLE FOR GRIP CLIPS AND SOFT CLOSING APPLICABLE TO CEILING
BINARI IN ALLUMINIO ADATTI PER FERMI A PINZA E FERMI AMMORTIZZATI APPLICABILI A SOFFITTO



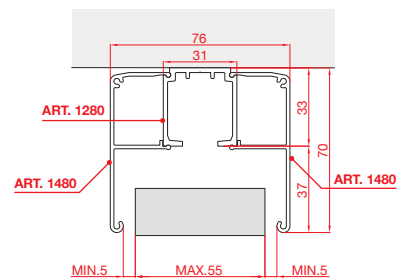
ART. 1280
 8 00 0 . 01280
 8 01 0 . 01280



ART. 1280
 8 00 0 . 01280
 8 01 0 . 01280
ART. 1380
 8 02 0 . 01380



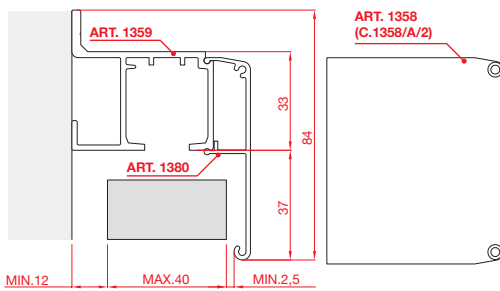
ART. 1280
 8 00 0 . 01280
 8 01 0 . 01280
ART. 1391
 8 02 0 . 01391



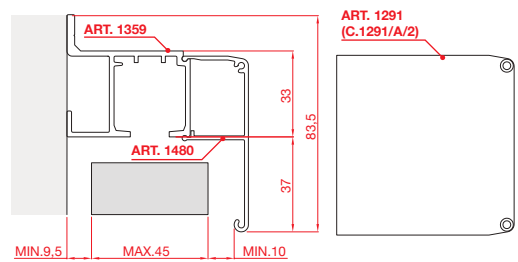
ART. 1280
 8 00 0 . 01280
 8 01 0 . 01280
ART. 1480
 8 02 0 . 01480



ALUMINIUM TRACKS SUITABLE FOR STANDARD STOPPERS AND SOFT CLOSING APPLICABLE TO WALL
BINARI IN ALLUMINIO ADATTI PER FERMI A PINZA E FERMI AMMORTIZZATI APPLICABILI A PARETE



ART. 1359
 8 00 0 . 01359
 8 01 0 . 01359
ART. 1380
 8 02 0 . 01380

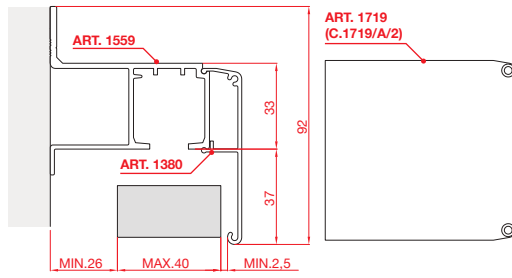


ART. 1359
 8 00 0 . 01359
 8 01 0 . 01359
ART. 1480
 8 02 0 . 01480

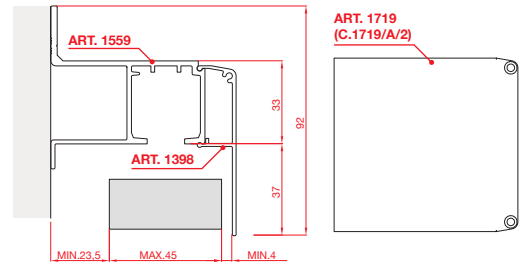


Tracks / Binari

ALUMINIUM TRACKS SUITABLE FOR STANDARD STOPPERS AND SOFT CLOSING APPLICABLE TO WALL
 BINARI IN ALLUMINIO ADATTI PER FERMI A PINZA E FERMI AMMORTIZZATI APPLICABILI A PARETE

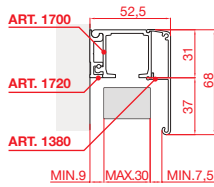


ART. 1559
 8 00 0 . 01559
 8 01 0 . 01559
ART. 1380
 8 02 0 . 01380

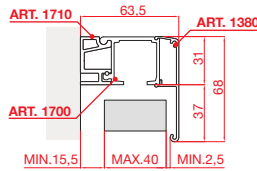


ART. 1559
 8 00 0 . 01559
 8 01 0 . 01559
ART. 1398
 8 02 0 . 01398

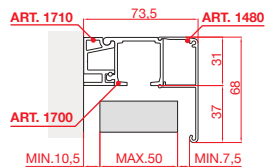
ALUMINIUM TRACKS SUITABLE FOR STANDARD STOPPERS AND SOFT CLOSING APPLICABLE TO WALL
 BINARI IN ALLUMINIO ADATTI PER FERMI A PINZA E FERMI AMMORTIZZATI APPLICABILI A PARETE



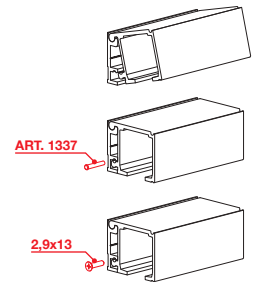
ART. 1700
 8 00 0 . 01700
 8 01 0 . 01700
ART. 1720
 8 00 0 . 01720
 8 01 0 . 01720
ART. 1380
 8 02 0 . 01380



ART. 1700
 8 00 0 . 01700
 8 01 0 . 01700
ART. 1710
 8 00 0 . 01710
 8 01 0 . 01710
ART. 1380
 8 02 0 . 01380



ART. 1700
 8 00 0 . 01700
 8 01 0 . 01700
ART. 1710
 8 00 0 . 01710
 8 01 0 . 01710
ART. 1480
 8 02 0 . 01480



**ALUMINIUM TRACKS SUITABLE FOR STANDARD STOPPERS AND SOFT CLOSING APPLICABLE TO WALL
BINARI IN ALLUMINIO ADATTI PER FERMI A PINZA E FERMI AMMORTIZZATI APPLICABILI A PARETE**

ART. 1700
8 00 0 . 01700
8 01 0 . 01700

ART. 1720
8 00 0 . 01720
8 01 0 . 01720

ART. 1391
8 02 0 . 01391

ART. 1700
8 00 0 . 01700
8 01 0 . 01700

ART. 1710
8 00 0 . 01710
8 01 0 . 01710

ART. 1391
8 02 0 . 01391

**ALUMINIUM TRACKS FOR 2 DOORS, FOR CLASSIC STOPPERS AND SOFT CLOSING APPLICABLE TO WALL
BINARI IN ALLUMINIO PER 2 PORTE, PER FERMI A PINZA E FERMI AMMORTIZZATI, FISSAGGIO A PARETE**

ART. 1296
8 00 0 . 01296
8 01 0 . 01296

ART. 1297
8 02 0 . 01297

**ALUMINIUM TRACKS SUITABLE FOR CLASSIC STOPPERS AND SOFT CLOSING APPLICABLE TO WALL
BINARI IN ALLUMINIO ADATTI PER FERMI A PINZA E FERMI AMMORTIZZATI APPLICABILI A PARETE**

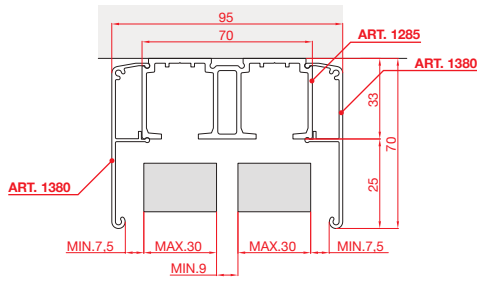
ART. 1080
8 00 0 . 01080
8 01 0 . 01080

ART. 1636
8 00 0 . 01636
8 01 0 . 01636

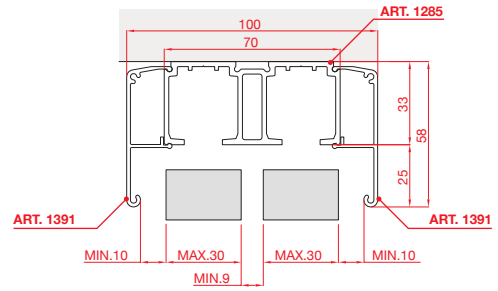
ART. 1638
8 02 0 . 01638

Tracks / Binari

ALUMINIUM TRACKS SUITABLE FOR GRIP CLIPS AND SOFT CLOSING APPLICABLE TO CEILING
 BINARI IN ALLUMINIO ADATTI PER FERMI A PINZA E FERMI AMMORTIZZATI APPLICABILI A SOFFITTO

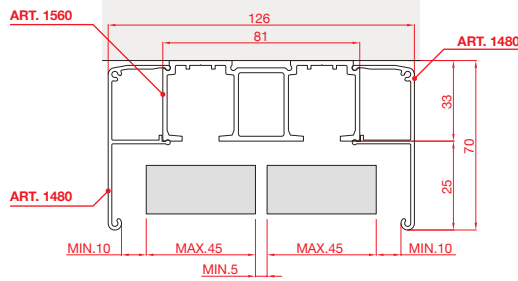


ART. 1285
 8 00 0 . 01285
 8 01 0 . 01285
 ART. 1380
 8 02 0 . 01380

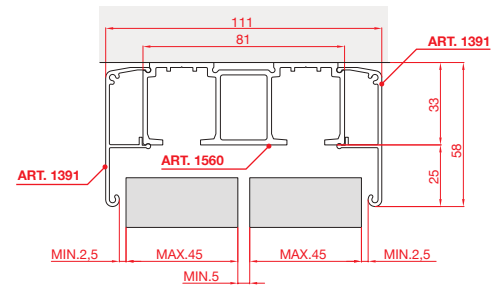


ART. 1285
 8 00 0 . 01285
 8 01 0 . 01285
 ART. 1391
 8 02 0 . 01391

ALUMINIUM TRACKS SUITABLE FOR GRIP CLIPS AND SOFT CLOSING APPLICABLE TO CEILING
 BINARI IN ALLUMINIO ADATTI PER FERMI A PINZA E FERMI AMMORTIZZATI APPLICABILI A SOFFITTO

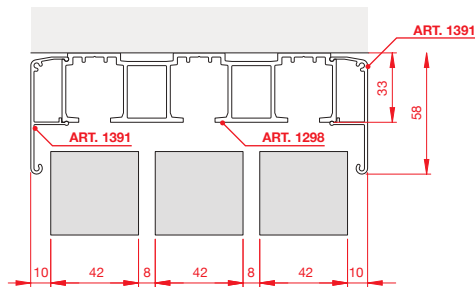


ART. 1560
 8 00 0 . 01560
 8 01 0 . 01560
 ART. 1480
 8 02 0 . 01480



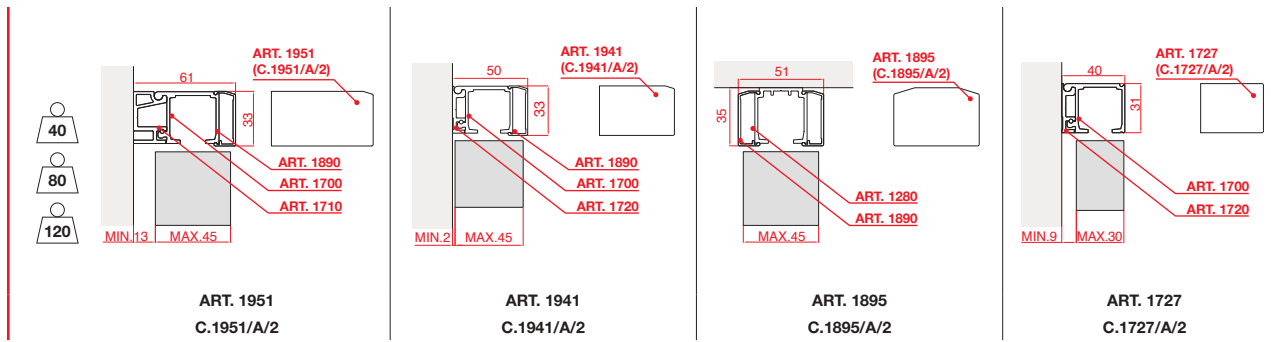
ART. 1560
 8 00 0 . 01560
 8 01 0 . 01560
 ART. 1391
 8 02 0 . 01391

ALUMINIUM TRACKS FOR 3 DOORS, FOR CLASSIC STOPPERS AND SOFT CLOSING APPLICABLE TO CEILING
 BINARI IN ALLUMINIO PER 3 PORTE, PER FERMI A PINZA E FERMI AMMORTIZZATI APPLICABILI A SOFFITTO

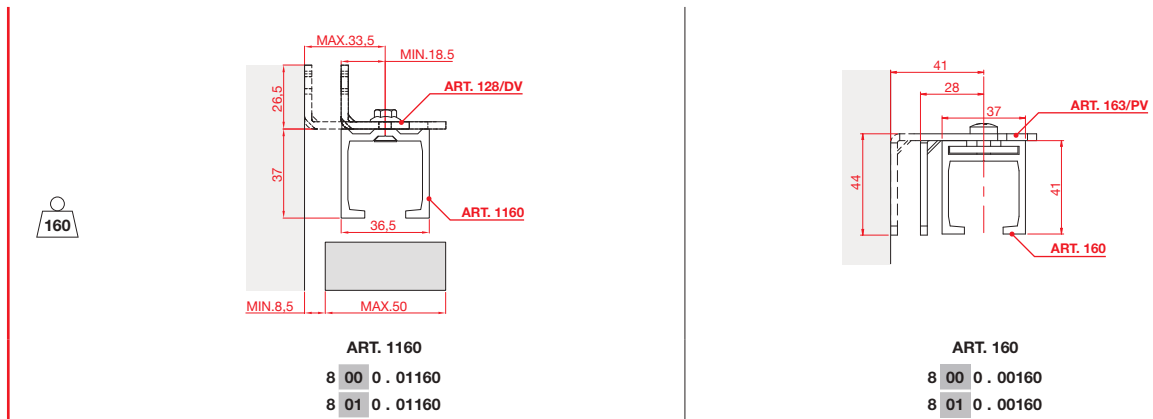


ART. 1298
 8 00 0 . 01298
 8 01 0 . 01298
 ART. 1391
 8 02 0 . 01391

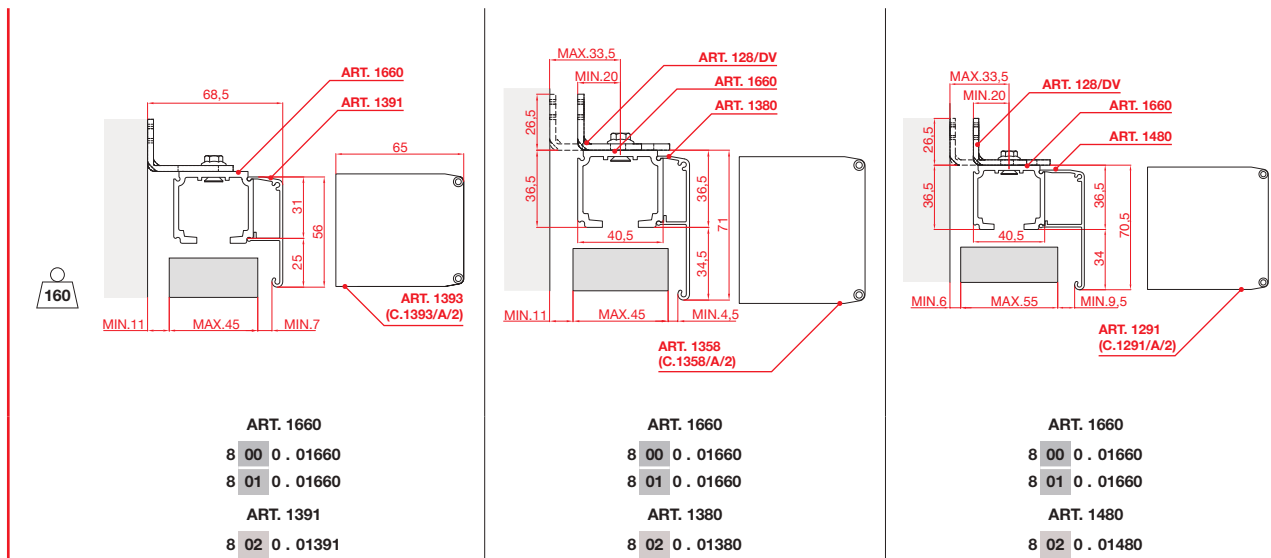
CAP COVERS COPERTURE TAPPI



ALUMINIUM TRACKS ONLY SUITABLE FOR CLASSIC STOPPERS APPLICABLE TO WALL BINARI IN ALLUMINIO ADATTI SOLO PER FERMI A PINZA APPLICABILI A PARETE



ALUMINIUM TRACKS ONLY SUITABLE FOR CLASSIC STOPPERS APPLICABLE TO WALL BINARI IN ALLUMINIO ADATTI SOLO PER FERMI A PINZA APPLICABILI A PARETE



Tracks / Binari

ALUMINIUM TRACKS SUITABLE FOR GRIP CLIPS AND SOFT CLOSING APPLICABLE TO CEILING
 BINARI IN ALLUMINIO ADATTI PER FERMI A PINZA E FERMI AMMORTIZZATI APPLICABILI A SOFFITTO

ART. 1391
 ART. 1660

8 00 0 . 01660
 8 01 0 . 01660

ART. 1391
 8 02 0 . 01391

ART. 1380
 ART. 1660

8 00 0 . 01660
 8 01 0 . 01660

ART. 1380
 8 02 0 . 01380

ART. 1480
 ART. 1660

8 00 0 . 01660
 8 01 0 . 01660

ART. 1480
 8 02 0 . 01480

ALUMINIUM TRACKS ONLY SUITABLE FOR CLASSIC STOPPERS APPLICABLE TO WALL AND CEILING
 BINARI IN ALLUMINIO ADATTI SOLO PER FERMI A PINZA APPLICABILI A PARETE E SOFFITTO

ART. 163/PV
 ART. 201

ART. 201
 8 00 0 . 00201
 8 01 0 . 00201

ART. 163/DV
 ART. 234

ART. 234
 8 00 0 . 00234
 8 01 0 . 00234

ART. 234

8 00 0 . 00234
 8 01 0 . 00234

ALUMINIUM TRACKS ONLY SUITABLE FOR CLASSIC STOPPERS APPLICABLE TO WALL AND CEILING
 BINARI IN ALLUMINIO ADATTI SOLO PER FERMI A PINZA APPLICABILI A PARETE E SOFFITTO

ART. 163/DV
 ART. 3480
 ART. 3490

ART. 3480
 8 00 0 . 03480
 8 01 0 . 03480

ART. 3490
 8 02 0 . 03490

ART. 3480
 ART. 3490

ART. 3480
 8 00 0 . 03480
 8 01 0 . 03480

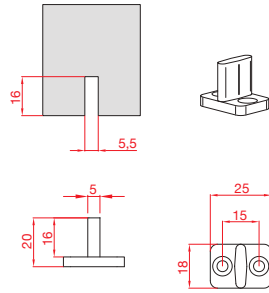
ART. 3490
 8 02 0 . 03490

Lower guides / Guide inferiori

LOWER GUIDES / GUIDE INFERIORI

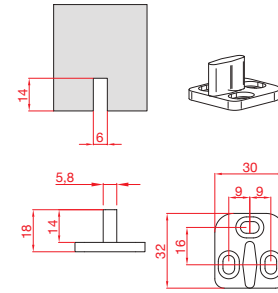


30



ART. 1032

40
80

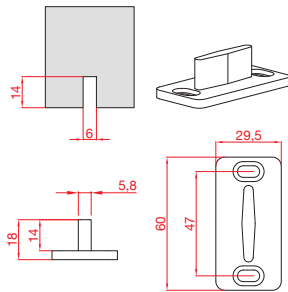


ART. 45

LOWER GUIDES / GUIDE INFERIORI

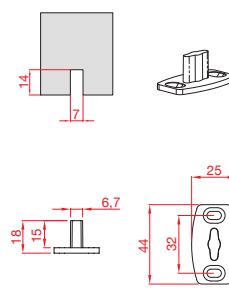


120

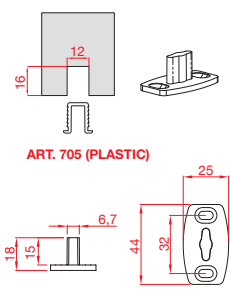


ART. 93

30
40
80



ART. 57

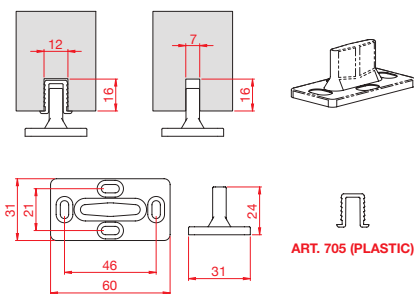


ART. 705 (PLASTIC)

LOWER GUIDES / GUIDE INFERIORI



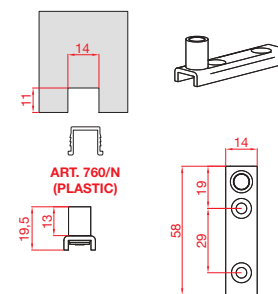
30
40
80
120



ART. 65

ART. 705 (PLASTIC)

160
240

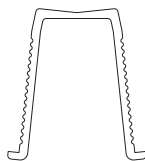
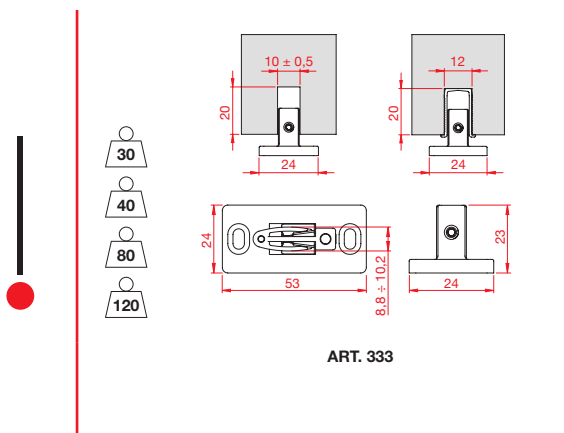


ART. 124

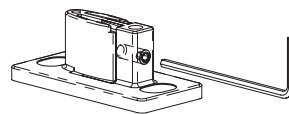
ART. 760/N (PLASTIC)

Lower guides / Guide inferiori

LOWER GUIDES / GUIDE INFERIORI



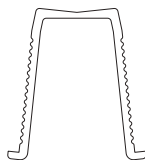
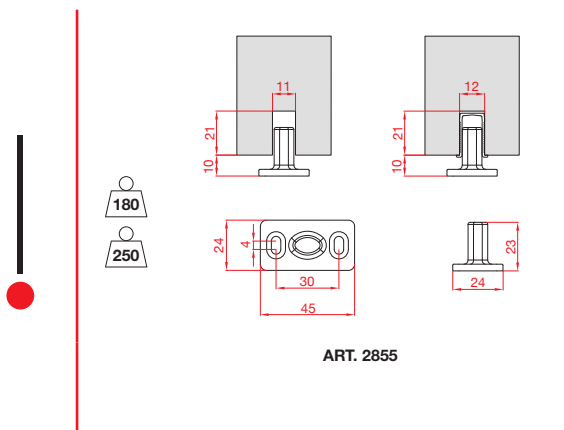
ART. 121
 8 14 0 . 00121
 8 23 0 . 00121



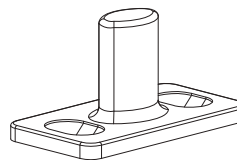
REGULATION / REGOLAZIONE

PATENTED

LOWER GUIDES / GUIDE INFERIORI



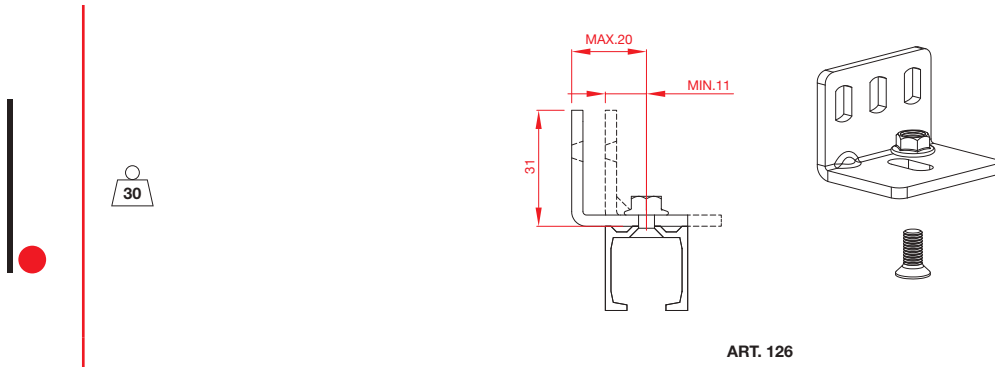
ART. 121
 8 14 0 . 00121
 8 23 0 . 00121



NEW

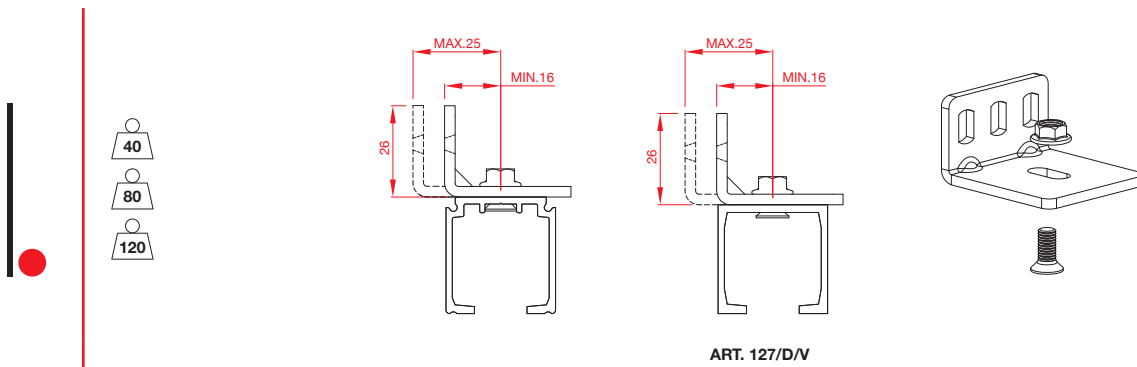
Wall bracket / Squadrette

BRACKETS FOR ALUMINUM TRACKS / SQUADRETTE PER BINARI IN ALLUMINIO



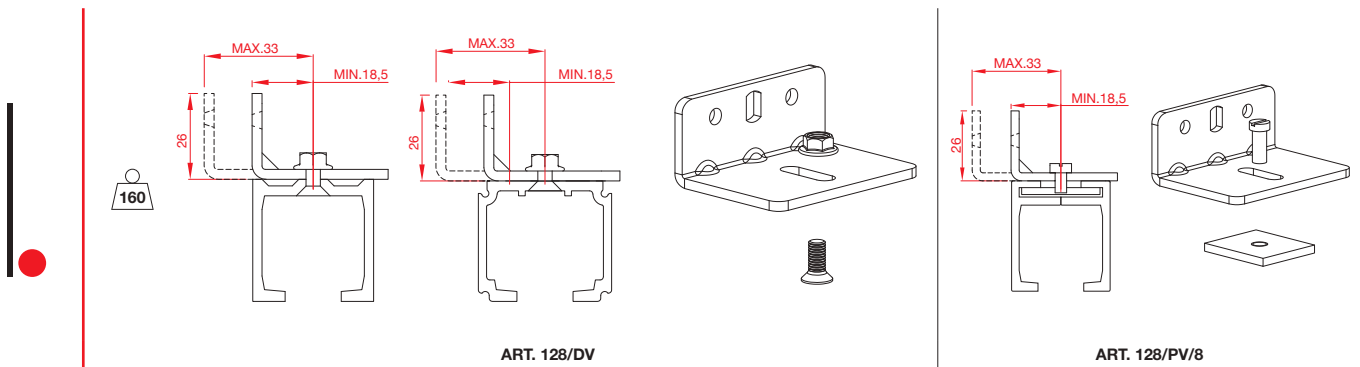
ART. 126

BRACKETS FOR ALUMINUM TRACKS / SQUADRETTE PER BINARI IN ALLUMINIO



ART. 127/D/V

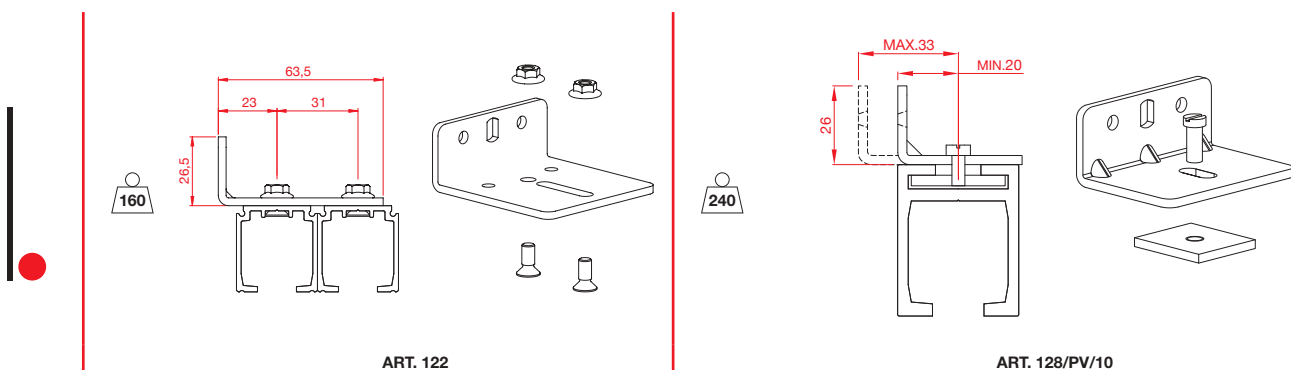
BRACKETS FOR ALUMINUM TRACKS / SQUADRETTE PER BINARI IN ALLUMINIO



ART. 128/DV

ART. 128/PV/8

BRACKETS FOR ALUMINUM TRACKS SQUADRETTE PER BINARI IN ALLUMINIO



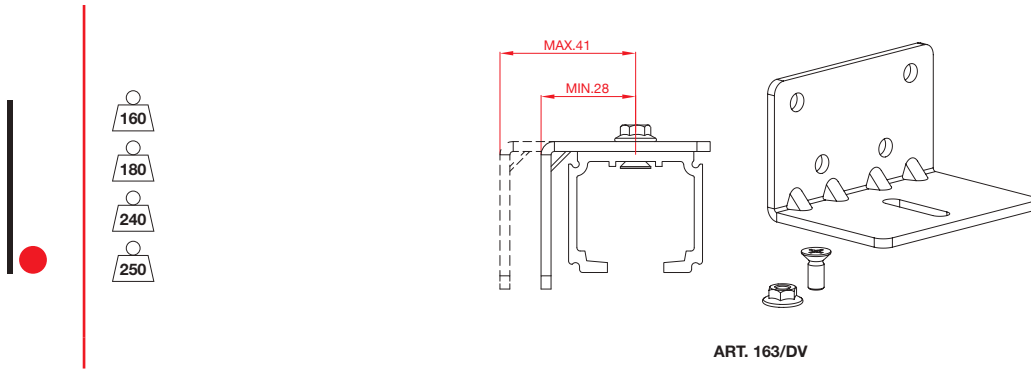
ART. 122

ART. 128/PV/10

Wall bracket / Squadrette

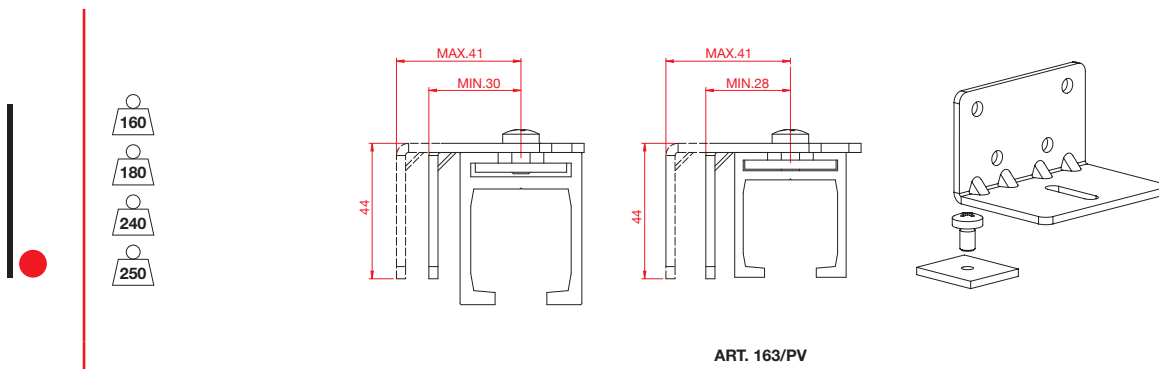
BRACKETS FOR ALUMINUM TRACKS / SQUADRETTE PER BINARI IN ALLUMINIO

NEW



BRACKETS FOR ALUMINUM TRACKS / SQUADRETTE PER BINARI IN ALLUMINIO

NEW







Terno Scorrevoli S.p.A.

**Via Ravenna, 4 - 20814 Varedo (MB) ITALY
Phone +39 0362 543001 - Fax +39 0362 582290**

**terno@ternoscorrevoli.com
www.ternoscorrevoli.com**